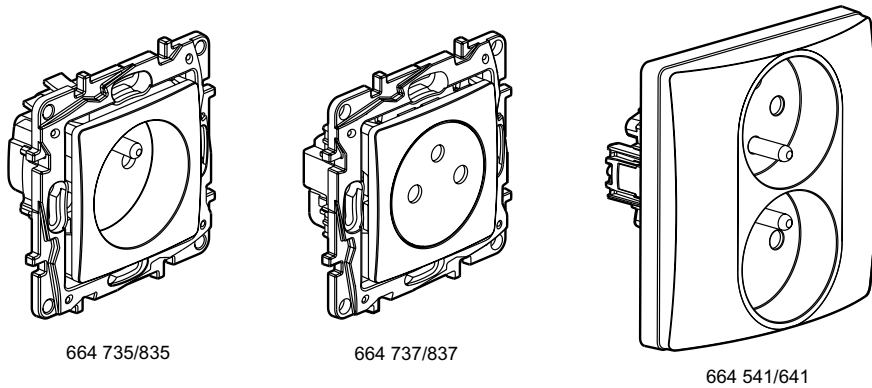


# Niloé™ French standard sockets

Catalogue number(s): 664 335/541/641/734/735/737/745  
664 834/835/837/845



CONTENTS	Page
1. Use.....	1
2. Range.....	1
3. Positioning.....	1
4. Overall dimensions.....	1-2
5. Connection.....	2
6. Technical features.....	2-3
7. Maintenance.....	3
8. Standards - Approvals.....	3

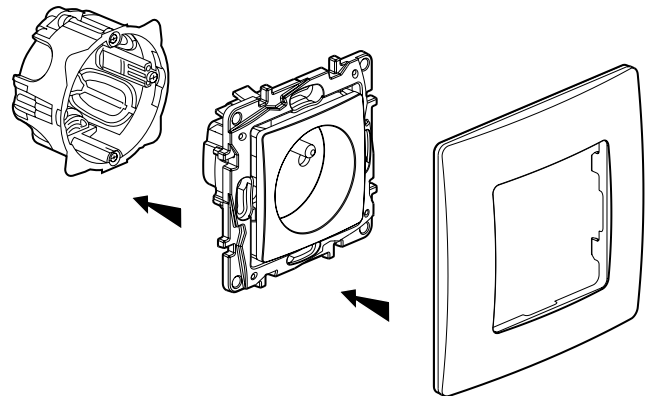
## 1. USE

French/Belgian standard 16 A - 250 VAC socket outlets. With safety shutter.  
Mechanisms supplied with cover plates and supports (except for compact 2 x 2 P + E double sockets for one-gang mount, which are supplied complete with plate).  
Mechanisms to be fitted with finishing plates. Supplied with site protective cover.  
Flush-mounting or surface-mounting  
Fixed using screws or claws with claw accessory.

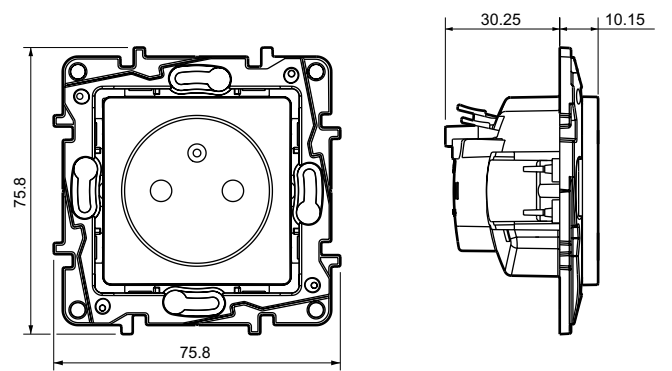
## 2. RANGE

	Description	Colour		Connection	Weight	
		White	Ivory			
	2 P + E socket 16 A	664 335	664 835	Automatic terminals	42	
		664 735	664 837			
	2 P + E socket 16 A Flush-mounted	664 737	664 837		49	
	2-gang sockets 2 P + E - 16 A Prewired 2-gang	664 745	664 845			94.5
	2-gang sockets 2 P + E - 16 A Compact One-gang installation	664 541	664 641			
	2 P socket 16 A	664 734	664 834	screw	37	

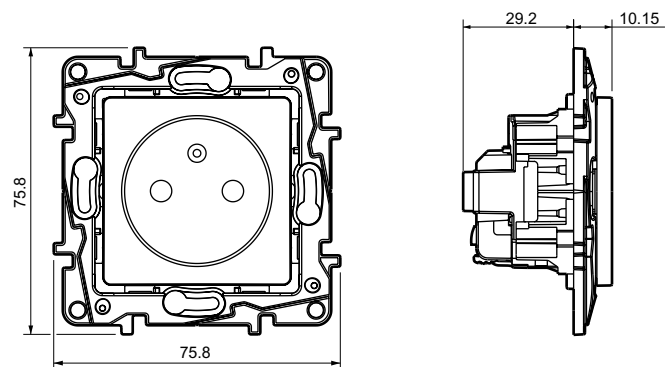
## 3. POSITIONING



## 4. OVERALL DIMENSIONS

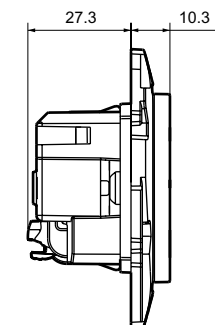
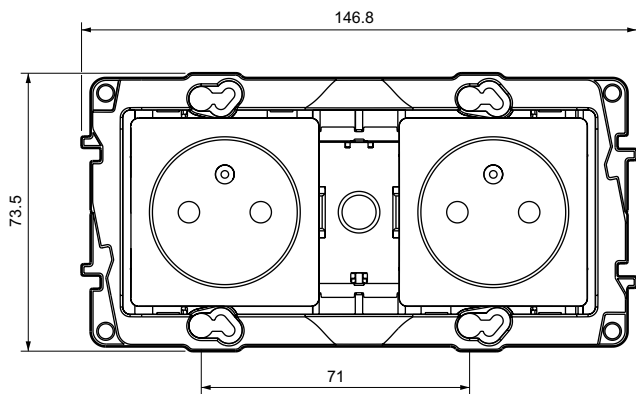


Cat. No. 664 335/735/835

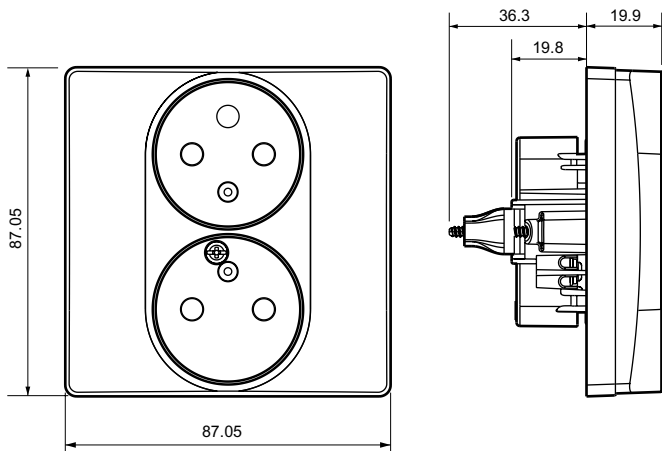


Cat. No. 664 737/837

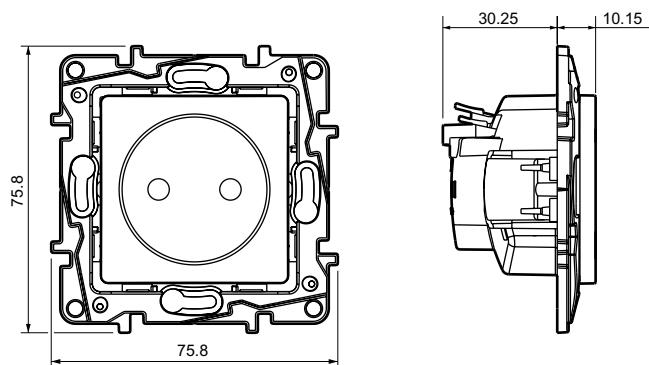
4. OVERALL DIMENSIONS (continued)



Cat. No. 664 745/845



Cat. No. 664 541/641



Cat. No. 664 734/834

5. CONNECTION

**Cat. No. 664 335/735/835/737/837/745/845/547/641**

Automatic terminals

Terminal capacity: 2 x 2.5 mm<sup>2</sup>

Stripping length: 13 mm (stripping length marked on the product).

**Cat. No. 664 734/834**

Screw terminals

Terminal capacity: 2 x 2.5 mm<sup>2</sup>

Tightening torque: 0.8 Nm

Stripping length: 13 mm

Screwdriver: Posidrive 1, Phillips 1, 4 mm flat screwdriver.

6. TECHNICAL FEATURES

6.1 Mechanical features

IP: 21 D

IK: 04

6.2 Materials

Poly gloss appearance

Colour: White (RAL 903) and Ivory (RAL 113)

Material: - Plate ABS

- Socket cover plate polycarbonate

- Halogen-free

Self-extinguishing: - 850°C/30 s for insulating parts holding live parts in place

- 650°C/30 s for other parts made of insulating materials

UV resistant

6.3 Electrical features

Voltage: 250 VAC

Current: 16 A

6.4 Climatic features

Storage and usage temperature: - 5°C to + 35°C

## French standard sockets

### 6. TECHNICAL FEATURES *(continued)*

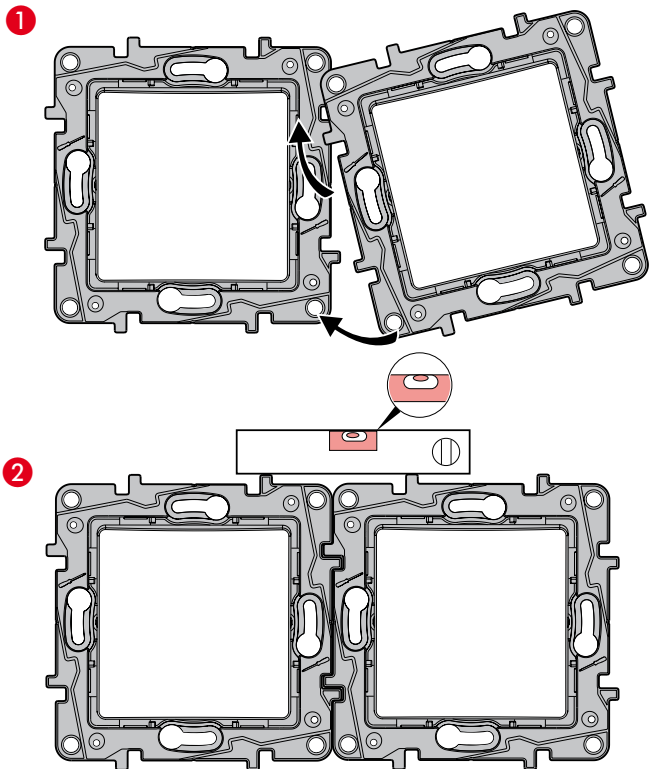
#### 6.5 Features of the support

Material: Grey (RAL 737) halogen-free polycarbonate.

High impact resistance and torsional strength due to the thickness of the support.

Easy guidance for positioning the mechanisms.

Horizontal or vertical alignment without lifting up the mechanisms too much



#### 6.6 Features of the cover

Material: APET, polyester-based plate, very clear, highly resistant to impacts and chemical agents.

### 7. MAINTENANCE

Easy-clean (due to poly gloss surface).

### 8. STANDARDS AND APPROVALS

- CB certificate (pending)
- NF certificate (pending)
- BBJ, VDE, MEEI, GOST, TSE (planned)